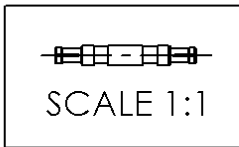
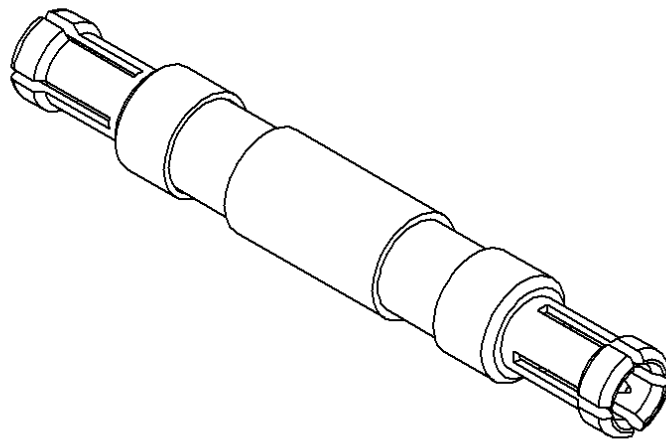
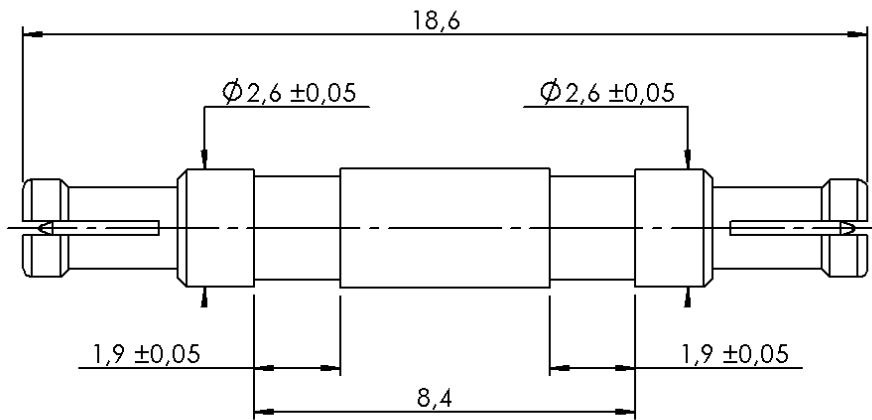


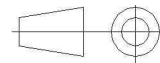
**STR. MALE-MALE NON REMOV. ADAPTER INSERT**  
**(FOR P.C.B THICKNESS 2.4+/-0.2)**

**R199.001.713**

Series : MCC2



All dimensions are in mm.



COMPONENTS	MATERIALS	PLATING ( $\mu\text{m}$ )
BODY	BRASS	NPGR
CENTER CONTACT	BRASS	NPGR
OUTER CONTACT	BRONZE	NPGR
INSULATOR	PTFE	
GASKET	-	-
OTHERS PARTS	-	-
-	-	-
-	-	-

Issue : 0815 C

In the effort to improve our products, we reserve the right to make changes judged to be necessary.



**STR. MALE-MALE NON REMOV. ADAPTER INSERT**

**R199.001.713**

**(FOR P.C.B THICKNESS 2.4+/-0.2)**

Series : **MCC2**

**PACKAGING**

**SPECIFICATION**

Standard	Unit	Other
<b>100</b>	<b>'W' option</b>	<b>Contact us</b>

**ELECTRICAL CHARACTERISTICS**

**ENVIRONMENTAL**

Impedance **50** Ω  
 Frequency **0-6** GHz  
 VSWR **1.12 + 0,0000** x F(GHz) Maxi  
 Insertion loss **0.2** √F(GHz) dB Maxi  
 RF leakage - ( - F(GHz)) dB Maxi  
 Voltage rating **500** Veff Maxi  
 Dielectric withstanding voltage **750** Veff mini  
 Insulation resistance **5000** MΩ mini

Operating temperature **-25/+125** ° C  
 Hermetic seal **NA** Atm.cm3/s  
 Panel leakage **NA**

**OTHER CHARACTERISTICS**

Assembly instruction

Others :  
 V.S.W.R 1.12 MAXI BETWEEN 0 AND 3 GHz

**MECHANICAL CHARACTERISTICS**

Center contact retention  
 Axial force – Mating end **6** N mini  
 Axial force – Opposite end **6** N mini  
 Torque **NA** N.cm mini

Recommended torque  
 Mating **NA** N.cm  
 Panel nut **NA** N.cm

Mating life **500** Cycles mini  
 Weight **0,3540** g

Issue : 0815 C

In the effort to improve our products, we reserve the right to make changes judged to be necessary.

